

Bearing Unit No.	Shaft Dia d		Dimensions(mm)											Bolt Used(mm)	Bearing No.	Housing No.	
	(in)	(mm)	h	a	e	b	S2	S1	g	w	t	Z	Bi				n
UCP202		15	30.2	127	95	38	19	13	14	62	2	51	31	12.7	M10	UC202	P203
UCP203		17	30.2	127	95	38	19	13	14	62	2	51	31	12.7	M10	UC203	
UCP204-12	3/4		33.3	127	95	38	19	13	14	65	2	51	31	12.7	M10	UC204-12	P204
UCP204		20														UC204	
UCP205-13	13/16		36.5	140	105	38	19	13	15	71	2	57	34.1	14.3	M10	UC205-13	P205
UCP205-14	7/8															UC205-14	
UCP205-15	15/16															UC205-15	
UCP205-16	1															UC205-16	
UCP205		25														UC205	
UCP206-17	1-1/16		42.9	165	121	48	21	17	17	83	2	62	38.1	15.9	M14	UC206-17	P206
UCP206-18	1-1/8															UC206-18	
UCP206-19	1-3/16															UC206-19	
UCP206-20	1-1/4															UC206-20	
UCP206		30														UC206	



# Mounted Bearing Units

Sales@sketbearings.com

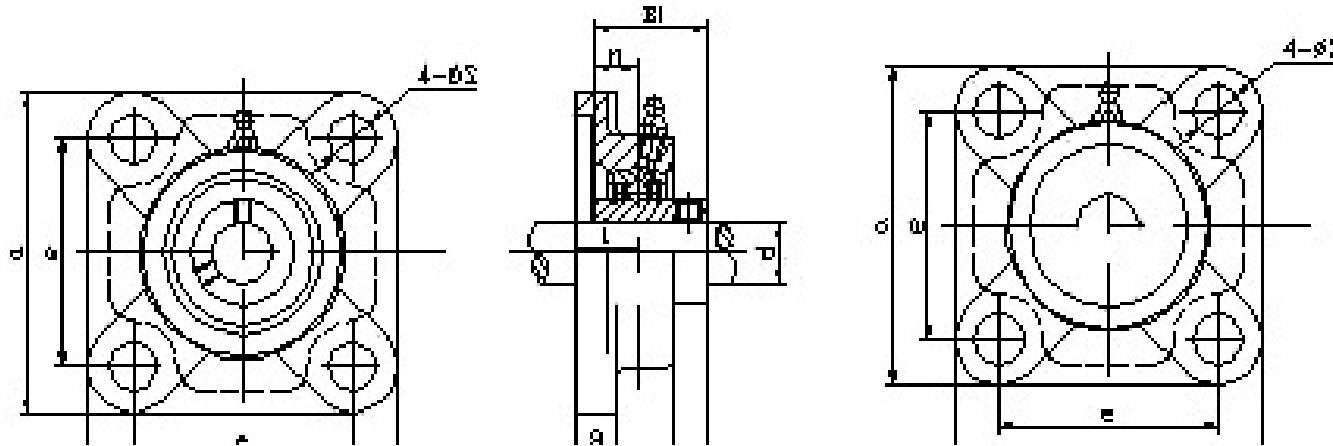
UCP207-20	1-1/4		47.6	167	127	48	21	17	18	93	3	72	42.9	17.5	M14	UC207-20	P207
UCP207-21	1-5/16															UC207-21	
UCP207-22	1-3/8															UC207-22	
UCP207-23	1-7/16															UC207-23	
UCP207		35														UC207	
UCP208-24	1-1/2		49.2	184	137	54	21	17	18	98	3	82	49.2	19	M14	UC208-24	P208
UCP208-25	1-9/16															UC208-25	
UCP208		40														UC208	
UCP209-26	1-5/8		54	190	146	54	21	17	20	106	3	82	49.2	19	M14	UC209-26	P209
UCP209-27	1-11/16															UC209-27	
UCP209-28	1-3/4															UC209-28	
UCP209		45														UC209	
UCP210-29	1-13/16		57.2	206	159	60	25	20	21	114	3	87	51.6	19	M16	UC210-29	P210
UCP210-30	1-7/8															UC210-30	
UCP210-31	1-15/16															UC210-31	
UCP210-32	2															UC210-32	
UCP210		50														UC210	
UCP211-32	2		63.5	219	171	60	25	20	23	126	4	92	55.6	22.2	M16	UC211-32	P211
UCP211-33	2-1/16															UC211-33	
UCP211-34	2-1/8															UC211-34	
UCP211-35	2-3/16															UC211-35	
UCP211		55														UC211	
UCP212-36	2-1/4		69.8	241	184	70	25	20	25	138	4	102	65.1	25.4	M16	UC212-36	P212
UCP212-37	2-5/16															UC212-37	
UCP212-38	2-3/8															UC212-38	
UCP212-39	2-7/16															UC212-39	



# Mounted Bearing Units

Sales@sketbearings.com

UCP212		60															UC212	
UCP213-40	2-1/2		76.2	265	203	70	29	25	27	151	4	107	65.1	25.4	M20		UC213-40	P213
UCP213-41	2-9/16																UC213-41	
UCP213		65															UC213	
UCP214-42	2-5/8		79.4	266	210	72	31	25	27	157			74.6	30.2	M20		UC214-42	P214
UCP214-43	2-11/16																UC214-43	
UCP214-44	2-3/4																UC214-44	
UCP214		70															UC214	
UCP215-45	2-13/16		82.6	275	217	74	31	25	28	163			77.8	33.3	M20		UC215-45	P215
UCP215-46	2-7/8																UC215-46	
UCP215-47	2-15/16																UC215-47	
UCP215-48	3																UC215-48	
UCP215		75															UC215	
UCP216-50	3-1/8		88.9	292	232	78	31	25	30	175			82.6	33.3	M20		UC216-50	P216
UCP216		80															UC216	
UCP217-52	3-1/4		95.2	310	247	83	31	25	32	187			85.7	34.1	M20		UC217-52	P217
UCP217		85															UC217	
UCP218-56	3-1/2		101.6	327	262	88	33	27	33	200			96	39.7	M22		UC218-56	P218
UCP218		90															UC218	



Bearing Unit No.	Shaft Dia d		Dimensions (mm)											Bolt Used (mm)	Bearing No.	Housing No.
			a	e	i	g	l	s	t	z1	z	Bi	n			
	(in)	(mm)														
UCF204		20	86	64	15	12	25.5	12	2	40.5	33.3	31	12.7	M10	UC204	F204
UCF205-13	13/16		95	70	16	14	27	12	2	44.5	35.8	34.1	14.3	M10	UC205-13	F205
UCF205-14	7/8														UC205-14	
UCF205-15	15/16														UC205-15	
UCF205-16	1														UC205-16	
UCF205		25													UC205	
UCF206-17	1-1/16		108	83	18	14	31	12	2	49	40.2	38.1	15.9	M10	UC206-17	F206
UCF206-18	1-1/8														UC206-18	
UCF206-19	1-3/16														UC206-19	
UCF206-20	1-1/4														UC206-20	
UCF206		30													UC206	
UCF207-20	1-1/4		117	92	19	16	34	14	3	55	44.4	42.9	17.5	M12	UC207-20	F207



# Mounted Bearing Units

Sales@sketbearings.com

UCF207-21	1-5/16															UC207-21	
UCF207-22	1-3/8															UC207-22	
UCF207-23	1-7/16															UC207-23	
UCF207		35														UC207	
UCF208-24	1-1/2		130	102	21	16	36	16	3	62	51.2	49.2	19	M14	UC208-24	F208	
UCF208-25	1-9/16														UC208-25		
UCF208		40													UC208		
UCF209-26	1-5/8		137	105	22	18	38	16	3	63	52.2	49.2	19	M14	UC209-26	F209	
UCF209-27	1-11/16														UC209-27		
UCF209-28	1-3/4														UC209-28		
UCF209		45													UC209		
UCF210-29	1-13/16		143	111	22	18	40	16	3	66.5	54.6	51.6	19	M14	UC210-29	F210	
UCF210-30	1-7/8														UC210-30		
UCF210-31	1-15/16														UC210-31		
UCF210-32	2														UC210-32		
UCF210		50													UC210		
UCF211-32	2		162	130	25	20	43	19	4	71	58.4	55.6	22.2	M16	UC211-32	F211	
UCF211-33	2-1/16														UC211-33		
UCF211-34	2-1/8														UC211-34		
UCF211-35	2-3/16														UC211-35		
UCF211		55													UC211		
UCF212-36	2-1/4		175	143	29	20	48	19	4	80	68.7	65.1	25.4	M16	UC212-36	F212	
UCF212-37	2-5/16														UC212-37		
UCF212-38	2-3/8														UC212-38		
UCF212-39	2-7/16														UC212-39		
UCF212		60													UC212		



# Mounted Bearing Units

Sales@sketbearings.com

UCF213-40	2-1/2		187	149	30	20	50	19	4	83.5	69.7	65.1	25.4	M16	UC213-40	F213
UCF213-41	2-9/16														UC213-41	
UCF213		65													UC213	
UCF214-42	2-5/8		193	152	31	24	54	19			75.4	74.6	30.2	M16	UC214-42	F214
UCF214-43	2-11/16														UC214-43	
UCF214-44	2-3/4														UC214-44	
UCF214		70													UC214	
UCF215-45	2-13/16		200	159	34	24	56	19			78.5	77.8	33.3	M16	UC215-45	F215
UCF215-46	2-7/8														UC215-46	
UCF215-47	2-15/16														UC215-47	
UCF215-48	3														UC215-48	
UCF215		75													UC215	
UCF216-50	3-1/8		208	165	34	24	58	23			83.3	82.6	33.3	M20	UC216-50	F216
UCF216		80													UC216	
UCF217-52	3-1/4		220	175	36	26	63	23			87.6	85.7	34.1	M20	UC217-52	F217
UCF217		85													UC217	
UCF218-56	3-1/2		235	187	40	26	68	23			96.3	96	39.7	M20	UC218-56	F218
UCF218		90													UC218	





Mounted Bearing Units  
Sales@sketbearings.com

UCFL205		25															UC205	
UCFL206-17	1-1/16		148	117	18	14	31	16	80	2	49	40.2	38.1	15.9	M14	UC206-17	FL206	
UCFL206-18	1-1/8	UC206-18																
UCFL206-19	1-3/16	UC206-19																
UCFL206-20	1-1/4	UC206-20																
UCFL206		30														UC206		
UCFL207-20	1-1/4		161	130	19	16	34	16	90	3	55	44.4	42.9	17.5	M14	UC207-20	FL207	
UCFL207-21	1-5/16	UC207-21																
UCFL207-22	1-3/8	UC207-22																
UCFL207-23	1-7/16	UC207-23																
UCFL207		35														UC207		
UCFL208-24	1-1/2		175	144	21	16	36	16	100	3	62	51.2	49.2	19	M14	UC208-24	FL208	
UCFL208-25	1-9/16	UC208-25																
UCFL208		40														UC208		
UCFL209-26	1-5/8		188	148	22	18	38	19	108	3	63	52.2	49.2	19	M16	UC209-26	FL209	
UCFL209-27	1-11/16	UC209-27																
UCFL209-28	1-3/4	UC209-28																
UCFL209		45														UC209		
UCFL210-29	1-13/16		197	157	22	18	40	19	115	3	66.5	54.6	51.6	19	M16	UC210-29	FL210	
UCFL210-30	1-7/8	UC210-30																
UCFL210-31	1-15/16	UC210-31																
UCFL210-32	2	UC210-32																
UCFL210		50														UC210		
UCFL211-32	2		224	184	25	20	43	19	130	4	71	58.4	55.6	22.2	M16	UC211-32	FL211	
UCFL211-33	2-1/16	UC211-33																
UCFL211-34	2-1/8	UC211-34																



**SKET<sup>®</sup>** Mounted Bearing Units  
**BEARINGS** Sales@sketbearings.com

UCFL211-35	2-3/16																UC211-35	
UCFL211		55															UC211	
UCFL212-36	2-1/4		250	202	29	20	48	23	140	4	80	68.7	65.1	25.4	M20		UC212-36	FL212
UCFL212-37	2-5/16																UC212-37	
UCFL212-38	2-3/8																UC212-38	
UCFL212-39	2-7/16																UC212-39	
UCFL212		60															UC212	
UCFL213-40	2-1/2		258	210	30	24	50	23	155	4	83.5	69.7	65.1	25.4	M20		UC213-40	FL213
UCFL213-41	2-9/16																UC213-41	
UCFL213		65															UC213	
UCFL214-42	2-5/8		265	216	31	24	54	23	160			75.4	74.6	30.2	M20		UC214-42	FL214
UCFL214-43	2-11/16																UC214-43	
UCFL214-44	2-3/4																UC214-44	
UCFL214		70															UC214	
UCFL215-45	2-13/16		275	225	34	24	56	23	165			78.5	77.8	33.3	M20		UC215-45	FL215
UCFL215-46	2-7/8																UC215-46	
UCFL215-47	2-15/16																UC215-47	
UCFL215-48	3																UC215-48	
UCFL215		75															UC215	
UCFL216-50	3-1/8		290	233	34	24	58	25	180			83.3	82.6	33.3	M22		UC216-50	FL216
UCFL216		80															UC216	
UCFL217-52	3-1/4		305	248	36	26	63	25	190			87.6	85.7	34.1	M22		UC217-52	FL217
UCFL217		85															UC217	
UCFL218-56	3-1/2		320	265	40	26	68	25	205			96.3	96	39.7	M22		UC218-56	FL218
UCFL218		90															UC218	